

SS5HP - SS10HP

5 and 10 KW Hot-Plug
FM Solid State Power Amplifier
87.5 - 108 MHz range



OMNITEC.

**Broadcast
Transmitter**

SS5HP



- Composed of 5 hot-pluggable 1.2KW power amplifier modules.

- Built-in output harmonic filter.

- Each power amplifier module has its own with switching power supply.

- Double exciter and built-in changeover unit.

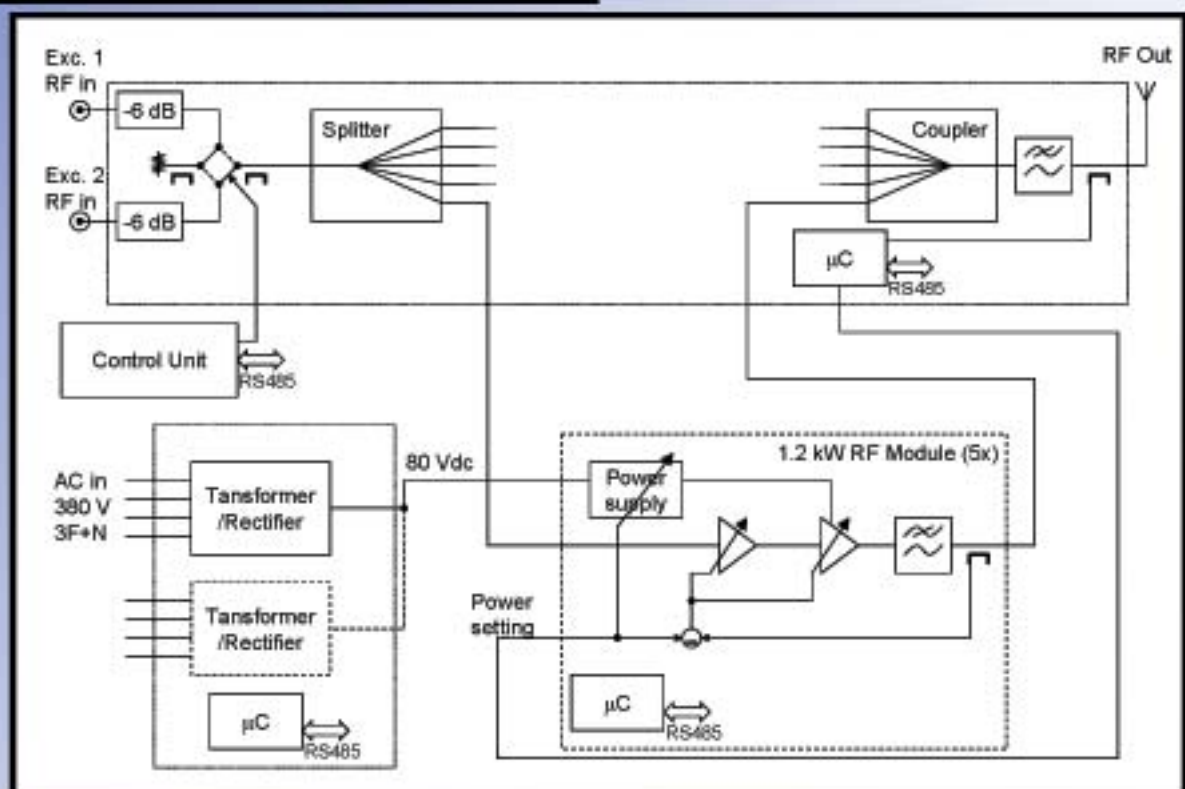
- Two parallel main transformers/rectifiers, each one being able to supply all the amplifier.

- Self-protected and self-controlled by means of a network of microprocessors.

SS5HP



- Plug-in technology.
- Easy mounting modules.

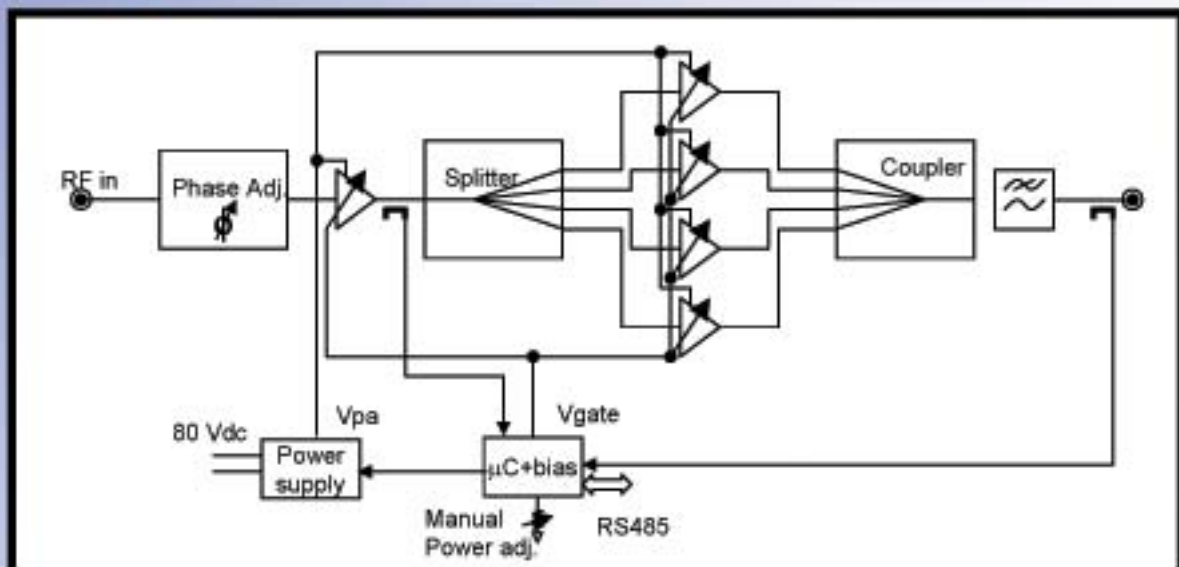


SS5HP



Plug-in Module

Each module is self-protected and self-controlled by means of an internal microprocessor.



SS5HP



Plug-in Power Supply

The power supply is mounted on slide-out wheels in order to ease installation and maintenance operations.

Totally plug-in, no wiring needed

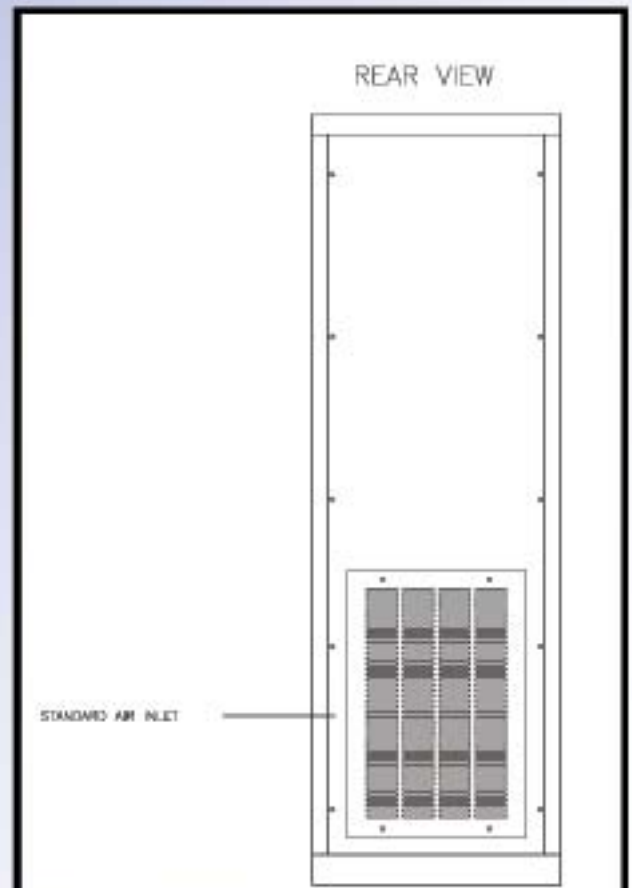
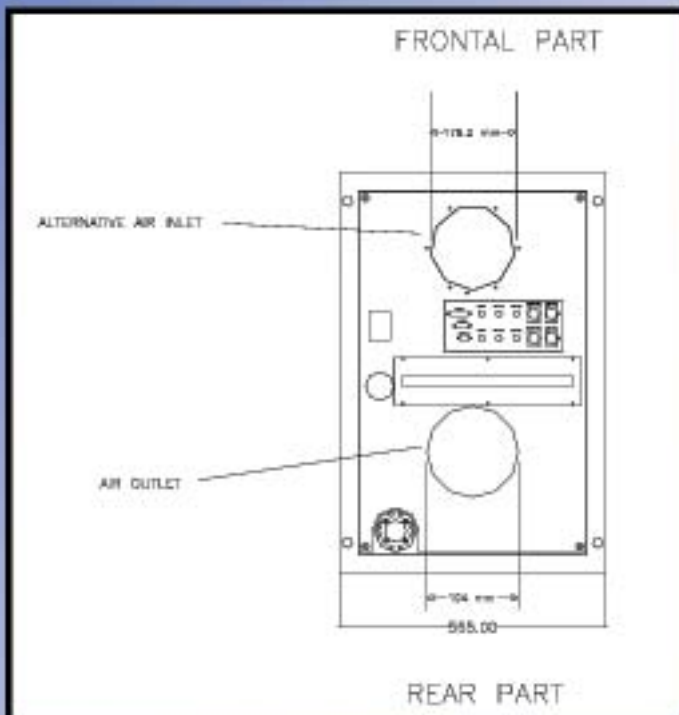


SS5HP

Each 5KW amplifier (SS5HP) is provided with a one internal fan, Each 5KW amplifier (SS5HP) is provided with a one internal fan, inlet and outlet air.

For each SS5HP the output air flow is 600 m³/h.

The outlet air hole is placed on rear cover of rack, but other outlet on top is available.



SS10HP



Composed of 2 SS5HP, 5KW plug-in power amplifiers coupled by means a 3dB coupler.

A 2.5 KW dummy load absorbs the unbalanced power between the two 5 KW amplifiers.

Available with double exciter and change over unit system.

Redundant blowers and power supplies.

10 modules of 1.2 kW each

SS5HP

Technical specifications

Frequency Range:	87.5 – 108 MHz
AC Power Source:	Threephase: 380-415 Vac with neutral, 50-60 Hz
Output Power:	5000 W
RF Output Connector:	1 5/8" EIA flange
Output Impedance:	50 Ohm
RF input connector:	N-type
RF input impedance:	50 Ohm
Input Driver Power:	20 W
Power Consumption:	< 9kW
Power Factor:	0.95
Harmonic & Spurious Suppression:	Meets or exceeds all FCC and CCIR requirements
Cooling:	Forced ventilation
Output Air flow:	600 m ³ /h
Operating Temperature:	From -10° C to 50° C
Maximum humidity:	90% non-condensing
Cabinet Dimensions:	1930.0 mm (75.98") H 565 mm (22.24") W 850 mm (33.46") D

SS10HP

Technical specifications

Frequency Range:	87.5 – 108 MHz
AC Power Source:	Threephase: 380-415 Vac with neutral, 50-60 Hz
Output Power:	10000 W
RF Output Connector:	1 5/8" EIA flange
Output Impedance:	50 Ohm
RF input connector:	N-type
RF input impedance:	50 Ohm
Input Driver Power:	60 W
Power Consumption:	< 18kW
Power Factor:	0.95
Harmonic & Spurious Suppression:	Meets or exceeds all FCC and CCIR requirements
Cooling:	Forced ventilation
Output Air flow:	600 m ³ /h (for each 5 kW amplifier)
Operating Temperature:	From -10° C to 50° C
Maximum humidity:	90% non-condensing
Cabinet Dimensions:	2 cabinets: 1930 mm (75.98") H 565 mm (22.24") W 850 mm (33.46") D